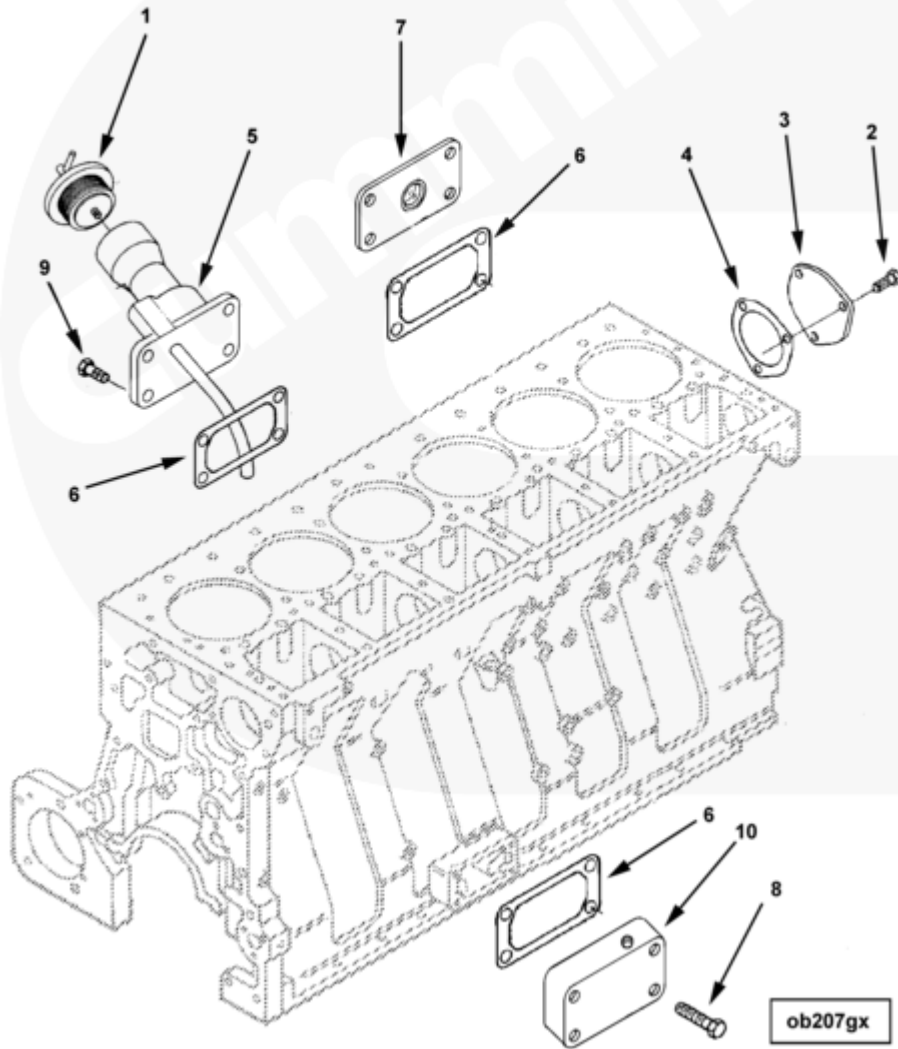




Parts Catalog - Option Detail

Electronic Parts Catalog - Option Detail				
Option	Group	Graphic	Film Card	Date
OB2435-03	07.02	ob207gx	II	26-AUG-99
Engines	ISM CM570, ISM CM570/870, ISM CM875, ISM CM876, ISM CM876 E, ISM11 CM876 M103, ISM11 CM876 SN, M11 CELECT, M11 CELECT PLUS, M11 MECHANICAL, QSM11 CM570, QSM11 CM876			

©Cummins Inc



[SMALL](#) | [MEDIUM](#) | [LARGE](#)

Cart	Ref No	Part Number	Part Description	Required	Remarks
View My Cart					
		OB2435-03	Oil Filler Arrangement		MR - ARRANGEMENT, OIL FILL...(More)

					Oil Filler Arrangement
					Oil Fill Supplier: Cummins
					Supplied
					Oil Fill Location: Right
					Side Front HHC
					Fill Tube Horiz Position:
					241.7mm (9.52") from FFOB
					Fill Tube Vert Position:
					20.7mm (0.81")
					Fill Tube Position Horiz from
					Eng C/L: 361.0mm (14.2")
					Dipstick Location: Right
					Side Front HHC
					Oil Return Provision: 1" NPT
					Hole in Right Rear HHC
					Dipstick Tube Attachment
					Method: 3/4-16 UNF
					Drain Provision For CCV
					System In Left Side Center
					HHC
<input type="checkbox"/>	1	101322	Filler Cap	1	
<input type="checkbox"/>	2	3009887	Hexagon Head Cap Screw	3	M10 x 1.50 x 22
<input type="checkbox"/>	3	3025295	Camshaft Cover	1	
<input type="checkbox"/>	4	3025296	Cover Plate Gasket	1	
<input type="checkbox"/>	5	3820463	Hand Hole Cover	1	
<input type="checkbox"/>	6	3883472	Hand Hole Gasket	3	
<input type="checkbox"/>	7	3896324	Hand Hole Cover	1	
<input type="checkbox"/>	8	3900634	Hexagon Flange Head Cap Screw	4	M10 X 1.50 X 50.

<input type="checkbox"/>	9	3902460	Hexagon Flange Head Cap Screw	4	M10 X 1.50 X 25.
<input type="checkbox"/>	10	4003566	Hand Hole Cover	1	
<input type="checkbox"/>		3892253	Instruction Tag	1	

© 2019 Cummins Inc., Box 3005, Columbus, IN 47202-3005 U.S.A.
Terms of Use and Disclaimers | Recommended System Requirements
Need Assistance? Please click on the Contact Us button in the top right corner of any page.